

Rotovac

Enduro

2-3 vac motor (parallel)

E-3500

500 psi

120V

SCHEMATIC SET

Rotovac

E-3500

housing page of 4

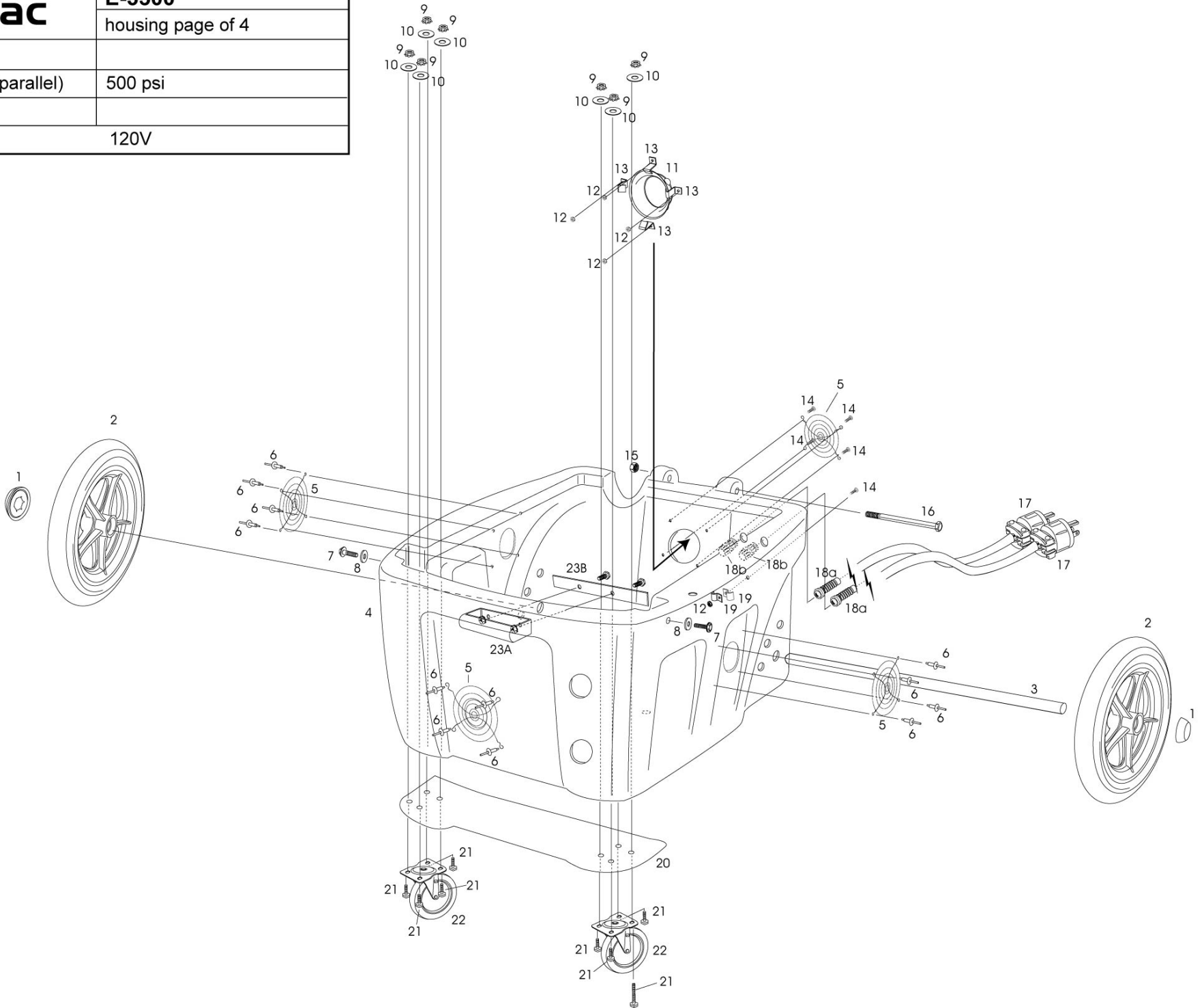
Enduro

2-3 vac motor (parallel)

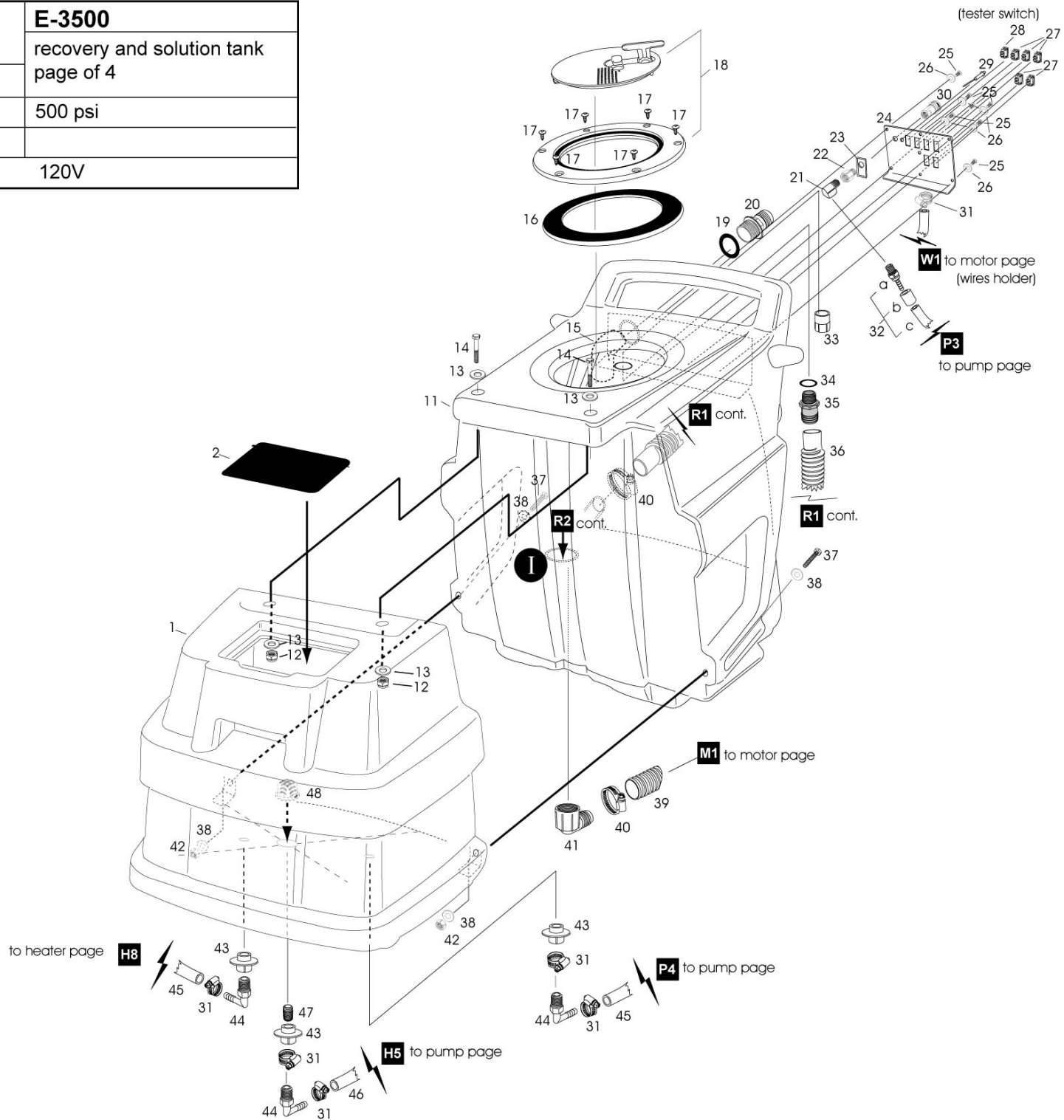
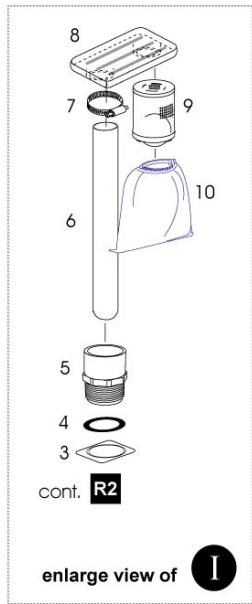
500 psi

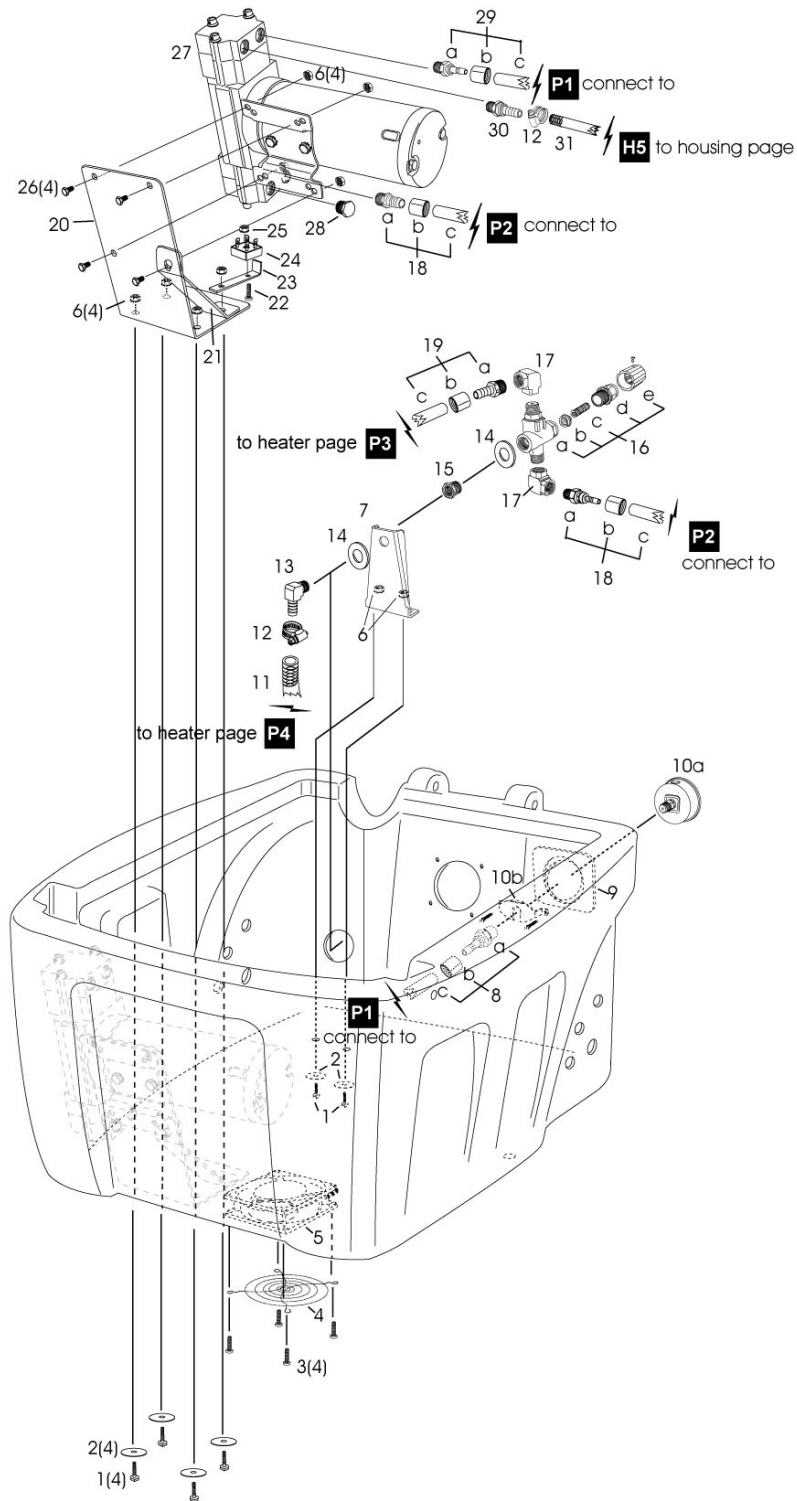
NOV2012

120V



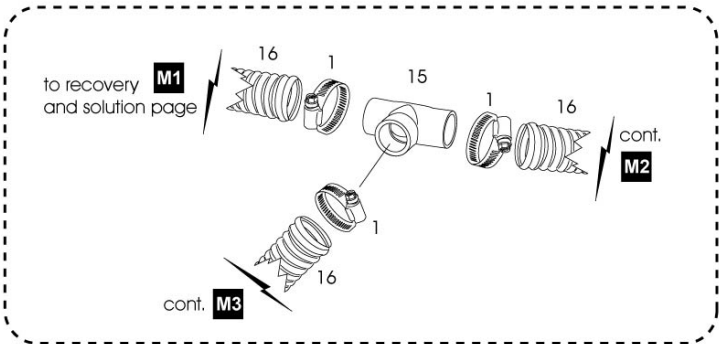
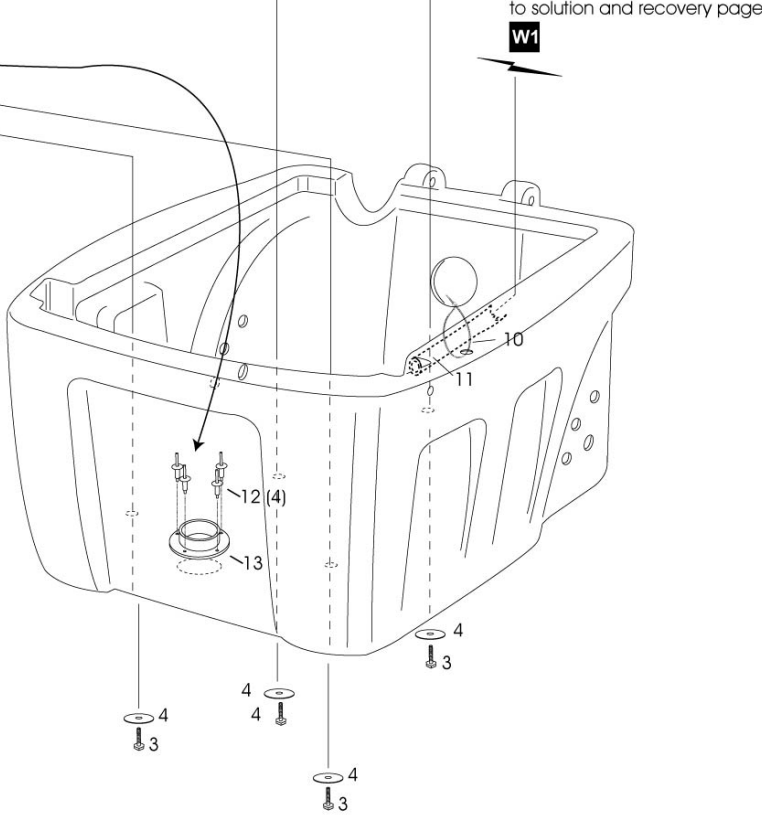
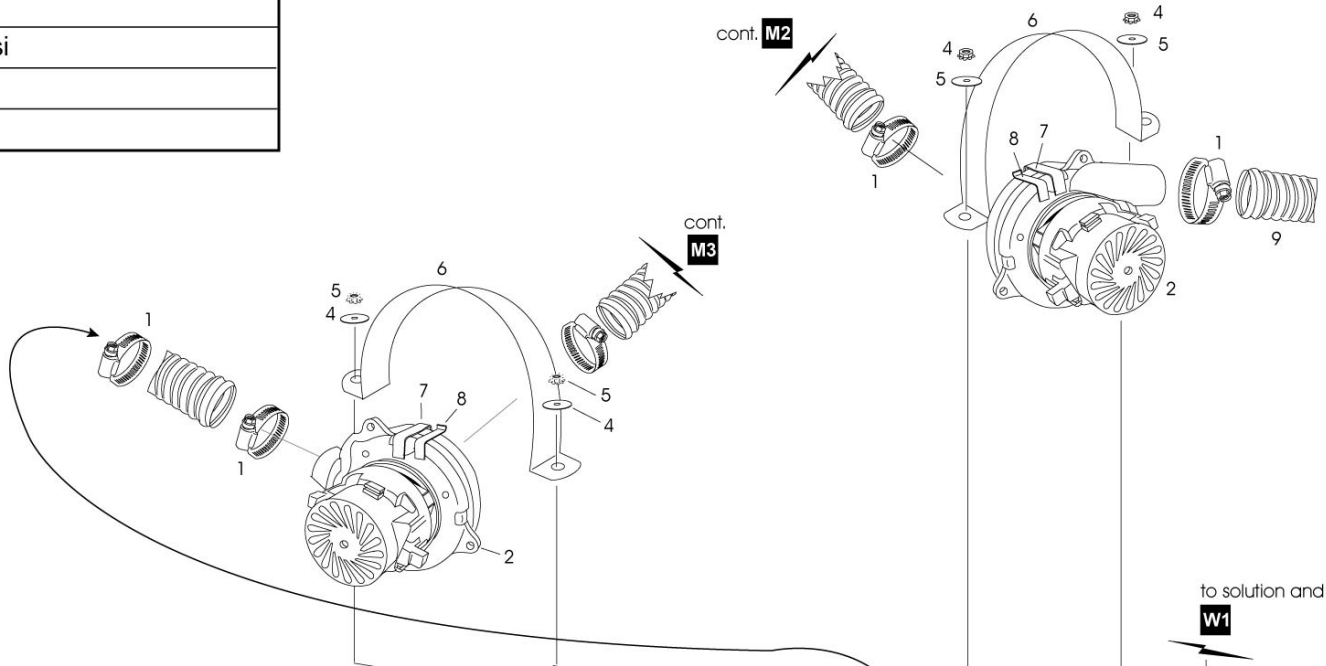
Rotovac	E-3500
Enduro	recovery and solution tank page of 4
2-3 vac motor (parallel)	500 psi
oct2012	120V





Rotovac	E-3500
	pump page of 4
Enduro	
2-3 vac motor (parallel)	500 psi
oct2012	120V

Rotovac	E-3500
	vac motor page of 4
Enduro	
2-3 vac motor (parallel)	500 psi
oct2012	120V



E-3500
 Bottom Housing
 2-3stg Vac Motor
 500 PSI

ITEM No.	PART No.	QTY	DESCRIPTION
1	FS07108	2	1/2" AXLE (ROD) END CAP
2	WC161094	2	10X1.75X1/2"NONMARKIWHEEL80CAB
3	FS05081808	1	AXLE(ROD)1/2" X 18-1/2"
4	TC13330895	1	ENDURO BASE - GRANITE
5	TE438134	3	COOLING FAN SCREEN
6	FR03604	8	AL/ST 6-4 RIVET
7	FB023416	2	1/4-20x1 HEX TAPTITE BOLT-ZINC
8	FW552400	2	1/4 PLASTIC CUT WASHER
9	FN1020421	8	1/4X20 KEPS NUT
10	FW302424	8	1/4X1-1/4 ZINC FENDER WASHER
11	TMC6225	1	ENDURO EXHAUST
12	FN1021032	5	10X32 KEPS NUT ZINC
13	TP110480	4	ENDURO EXHAUST HOLDING BRACKET
14	FB1032116	5	10-32X1 PH.PAN HEAD ZN
15	FN1141616	1	3/8 x 16 CENTER LOCK NUT ZN
16	FB022688	1	3/8-16x5-1/2 HEX BOLT-ZINC
17	TE101230	2	12-3SJTW-A POW.CORDX25'W/15M.P
18	TE101500	2	CORD RETAINER (COMPLETE)
19	TP111430	2	3/8 AXLE HOLDER/PWR CORD HLDR
20	TMC6228	1	ENDURO BASE REINFORCE PLATE
21	FB022412	8	1/4-20 x 3/4 HEX BOLT-ZINC
22	WC120263	2	3"X1"NON MARKING SWIVEL CAST.*
23	TB110300	1	RH FRONT HANLE SET S/S
A	TB110301	1	RH FRONT HANLE OUTER UNIT S/S
B	TB110302	1	RH FRONT HANLE INER UNITS/S

E-3500
 Rec & Sol
 2-3stg Vac Motor
 500 PSI

ITEM No.	PART No.	QTY	DESCRIPTION
1	TC13320695	1	ENDURO SOLUTION TANK - GRANITE
2	TMC6131	1	ENDURO SOLUTION TANK LID
3	TPW20820	1	STAND PIPE BASE S/S WASHER 2-1
4	TB231602	1	1-1/2" X 3/16GASKET(THICK)
5	TB436212	1	REDUCING/M ADT1-1/2MPTx1-1/4SO
6	PM2320164	1	STAND PIPE 2"O.D.#G (16-1/2")
7	ID67321	1	1/2 SS BN,SS, 1-9/16 TO 2-1/2
8	PM10142	1	BALL FLOAT DUCT ONLY
9	PM10144	1	BALL FLOAT CAGE W/BALL
10	PM10150	1	VACUUM FILTER(BALL-FLOAT)
11	TC13311795	1	ENDURO RECOVERY TANK -GRANITE
12	FN1110420	2	1/4X20 S/S NYLON LOCK NUT
13	FW302300	4	1/4 S/S U.S.S. CUT WASHER
14	FB021428	2	1/4-20X1-3/4 HEX BOLT 18-8 S/S
15	TB231715	1	90DEG.ELBOW 1.5SPIG X 1.5FPT
16	DB10116	1	MOBIL LASTIC TAPE 1/16X1FT.
17	FB9010808	6	#8-18 x1/2 TRUSS PHIL SCREW S/
18	TMC6010	1	ENDURO REC. TANK LID COMPLETE
	B TMC6011	1	ENDURO REC. TANK LID ONLY
19	TB231601	1	1-1/2" X 1/8 GASKET(THIN)
20	TB231516	1	1.5"HOSE BARB W/FLANGE BLACK
21	129HB64	1	90 DEG. HB(HOSE X MPT)3/8X1/4
22	222P44	1	ADAPTER 1/4MPTX1/4FPT
23	FW552910	1	9/16 PLASTIC CUT WASHER
24	TMC6203	1	ENDURO SWITCH PLATE W/3 CUT OUT
25	FB1032108	7	10-32X1/2PH.PAN HEAD ZN
26	FW302316	6	3/16 ALUM. RIVET WASHER AS6R
27	TE202012	5	CV/ON-OFF ROCKER SWITCH (TMI)
28	TE202019	1	MOMEN RCKR SWCH N.O(1"X.5")
29	TE210112	1	LED 2 CIRCUIT INDICATING LIGHT
30	BH26020	1	QUICK CONNECTOR
31	ID57060	5	H.C.1/2 SS BN,PLT,3/8TO7/8
32	THB4474143	1	SOL.AsNB1/4x47"1/4MPTx1/4SMPT
33	TB435010	1	1" FEMALE ADAPTER x SLIP
34	MS30G322	1	O-RING FOR ENDURO
35	TB436133	1	1-1/2" HOSE BARB x 1" MPT
36	THD150016	1	1.5"x16" DRAIN TUBE
37	FB022424	2	1/4-20X1-1/2 HEX BOLT-ZINC
38	FW302400	4	1/4 U.S.S. CUT WASHER ZINC
39	TV150299-27	1	1-1/2" VAC. HOSE x 27"
40	ID57200	2	1/2 SS BN5/16PLT, 3/4 TO 1-3/4
41	TB261510	1	1-1/2" 90 DEG.HOSE BARBx1.5FPT
42	FN1020421	2	1/4X20 KEPS NUT
43	TSP10402	3	1/4FPTx1/4FPT SPIN FITTING
44	N6MEB4	3	90DEG.H.B.3/8HOSEX1/4MPT WH.NY
45	THB4414300	1	Sol.AsNB1/4x41"1/4SVMxNOEND

46	TH3630899-39	1	3/8"SOLUTION HOSE x 39"
47	215PN4	1	CLOSE NIPPLE 1/4
48	TF101050	1	FILTER SCREEN S/S 50MESH 1/4FT

E-3500
Pump
2-3stg Vac Motor
500 PSI
H39

ITEM No.	PART No.	QTY	DESCRIPTION
1	FB022416	6	1/4-20X1 HEX BOLT-ZINC
2	FW3020450	6	1/4 SAE WASHER PLT
3	FB032420	4	10-32 X 1-1/4 PH.PAN HEAD S/S
4	TE438134	1	COOLING FAN SCREEN
5	TE436333	1	COOLING FAN 240V 3.5"
6	FN1020421	10	1/4X20 KEPS NUT
7	TP500520	1	UNLOAD VALVE BRACKET/MV-520
8	PFN204904	1	1/4HOSE X 1/4FPT SOLID FEMALE
9	RP0408305	1	PRESSGAUGE MOUNT BRAKT POLYPLT
10	GA101000	1	PRESSURE GAUGE 0-1000 PSI. 2"*
B	TP110451	1	PRESSURE GAUGE BRACKET
11	THB8370000	1	1/2I.D.POL SPRIN CLEAR HOSEx37
12	ID62020	2	5/16 S/SBAND 1/4HEX HD.1/4-5/8
13	129HB84	1	90DEG.HOSE BAR(HOSExMP)1/2x1/4
14	FW3020822	2	1/2X1-3/8 ZINC FENDER WASHER
15	209P64	1	BUSHING 3/8 X 1/4
16	MV520-50	1	UNLOADER VALVE, 3.5 GPM, 500 P
17	2200P66	2	90DEG.ELBOW 3/8FPTX3/8FPT
18	PFN206206	2	3/8HOSE X 3/8 MPT SWIVEL MALE
19	TGC04-4X6	1	1/4HOSE x 3/8MPT SWIVEL MALE
20	TP1175400	1	500PSI PMP MOUNT BRCKT-A/PT207
21	TP0510016	1	500PSI PMP MOUNT BRCKT-B/PT207
22	FB1032112	1	10-32X3/4 PH. PAN HEAD ZN
23	TP0308011	1	RECTIFIER MOUNTING BRACKET
24	TE620350	1	RECTIFIER 35 AMP (PW & FM)
25	FN1021032	1	10X32 KEPS NUT ZINC
26	FB022408	4	1/4-20X1/2 HEX BOLT-ZINC
27	PT207-DC	1	500 PSI MAX. 1GPM PUMP
28	218P6	1	HEX PLUG 3/8
29	TGC04-4X6	1	1/4HOSE x 3/8MPT SWIVEL MALE
30	125HBL86	1	HOSE BARB(HOSE X MPT)1/2 X 3/8
31	TH7160080-73	1	1/2"I.D. POL.SPRING CLEAR HOSE 73"

E-3500
 Motor
 2-3stg Vac Motor
 500 PSI

ITEM No.	PART No.	QTY	DESCRIPTION
1	ID57320	6	1/2 SS BN,PLT, 1-9/16 TO 2-1/2
2	11660048	2	120V/5.7"BP.TA,3STG.143"106CFM
3	FB022412	4	1/4-20X3/4 HEX BOLT-ZINC
4	FW302424	8	1/4X1-1/4 ZINC FENDER WASHER
5	FN1020421	4	1/4X20 KEPS NUT
6	TP2021214	2	MOTOR STRAP HOLDING BRACKET
7	TP400401	4	MOTOR CLAMP 5.7-2 STAGE MOTOR
8	TP400405	2	VAC STRAP GUARD
9	TV200294	1	2"WIRE BRA.INTERN.VAC.HOSE GRA
10	FT010204BLK	1	HOSE TIE SOLID 4" BLACK
11	TH3630899-38	4	3/8"SOLUTION HOSE x 38"
12	FR03604	4	AL/ST 6-4 RIVET
13	AC	1	VAC. MOTOR W/2" ADAPTER&CLAMP
14	TC13330895	1	ENDURO BASE - GRANITE
15	TB231301	1	TEE HANDLE(PVC)WHITE
16	TV151194-	-	1-1/2" WIRE BRAID INTRNL VAC H