

**Rotovac**

# **Enduro**

2-2 vac motor (parallel)

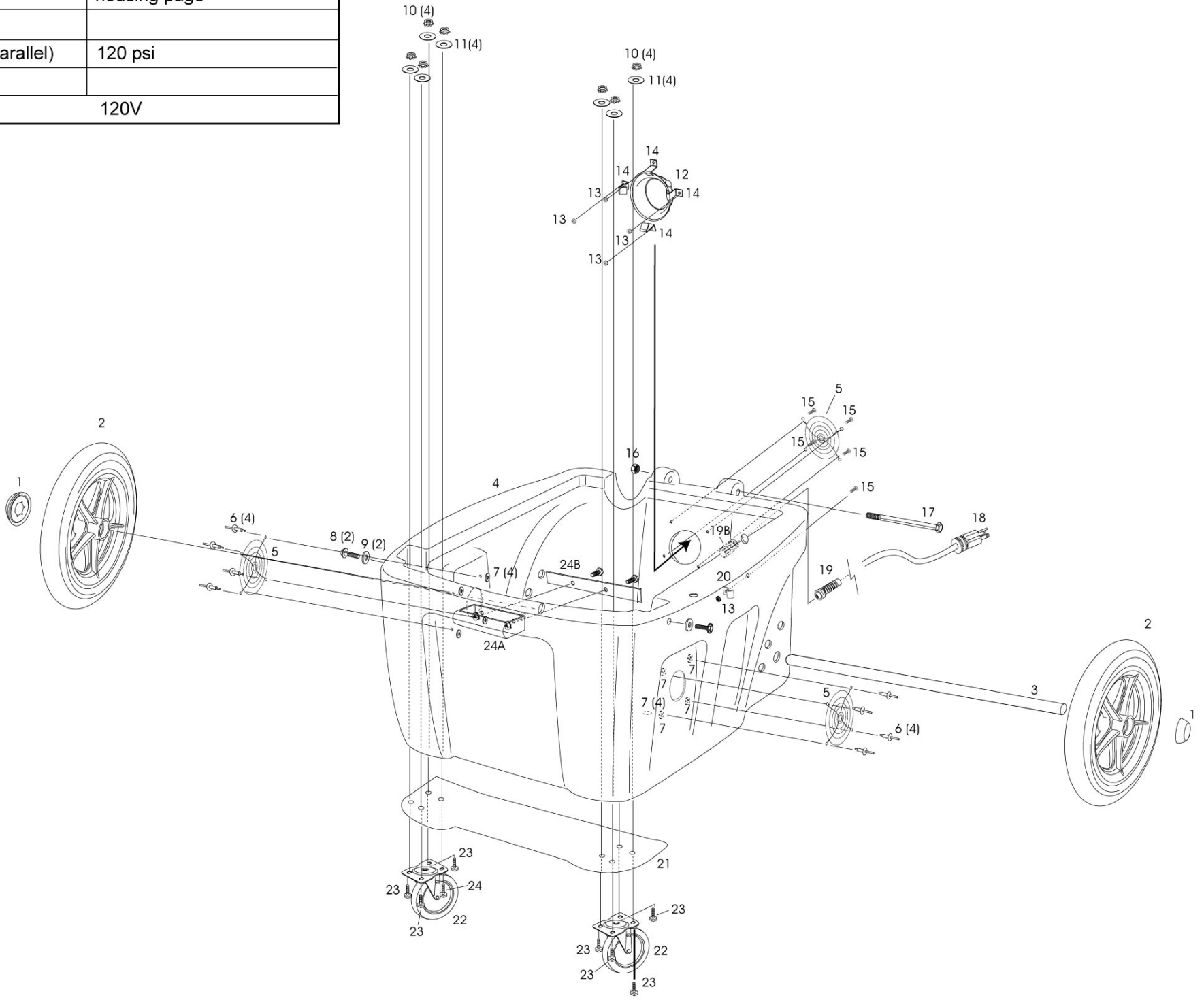
**E-2120**

120 psi

120V

SCHEMATIC SET

<b>Rotovac</b>	<b>E-2120</b>
	housing page
Enduro	
2-2 vac motor (parallel)	120 psi
NOV2012	120V



# Rotovac

E-2120

solution tank and recovery  
page

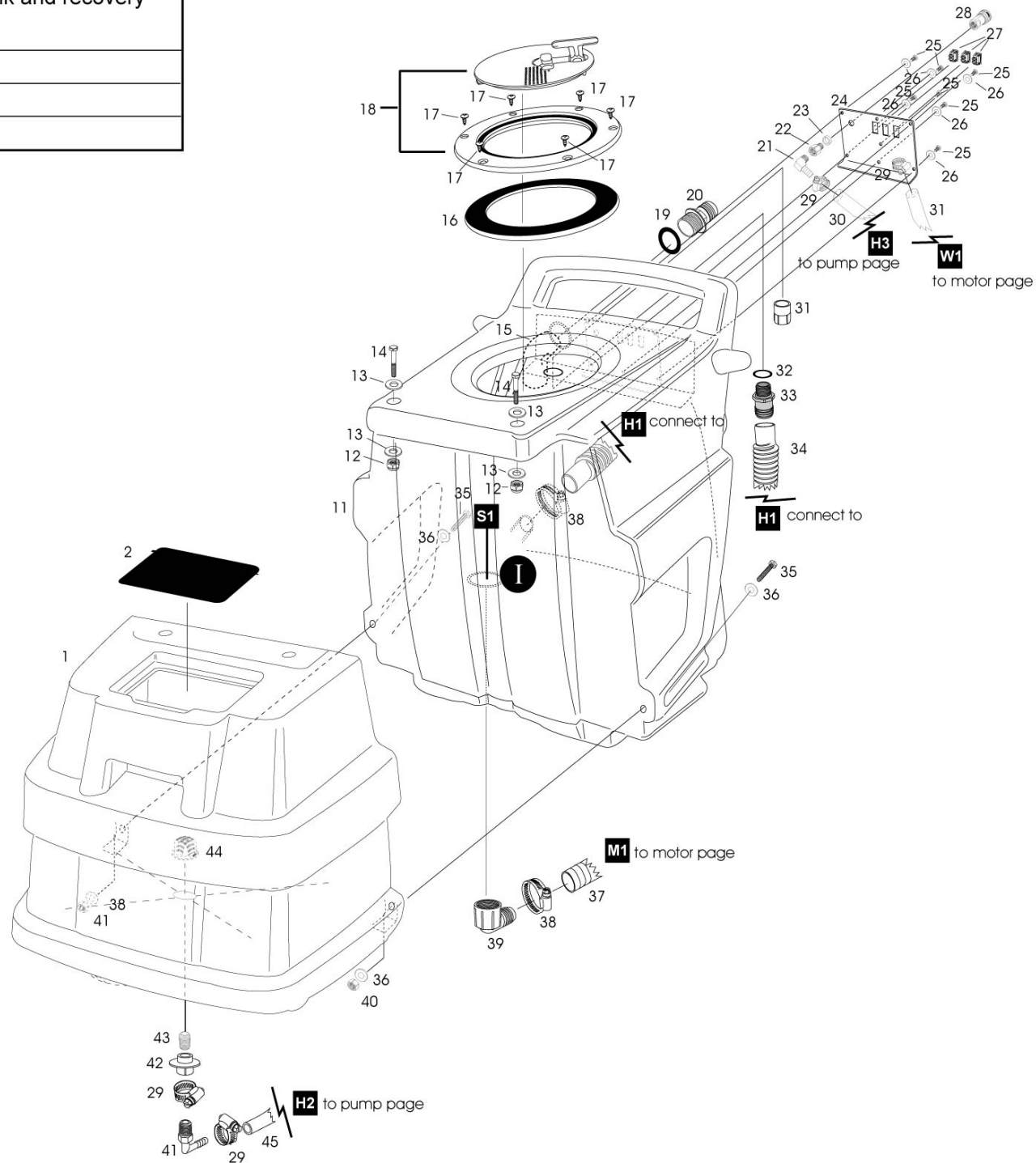
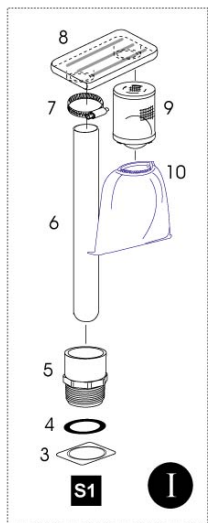
Enduro

2-2 vac motor (parallel)

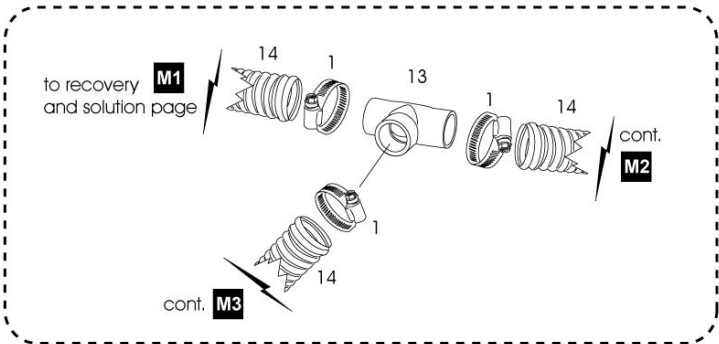
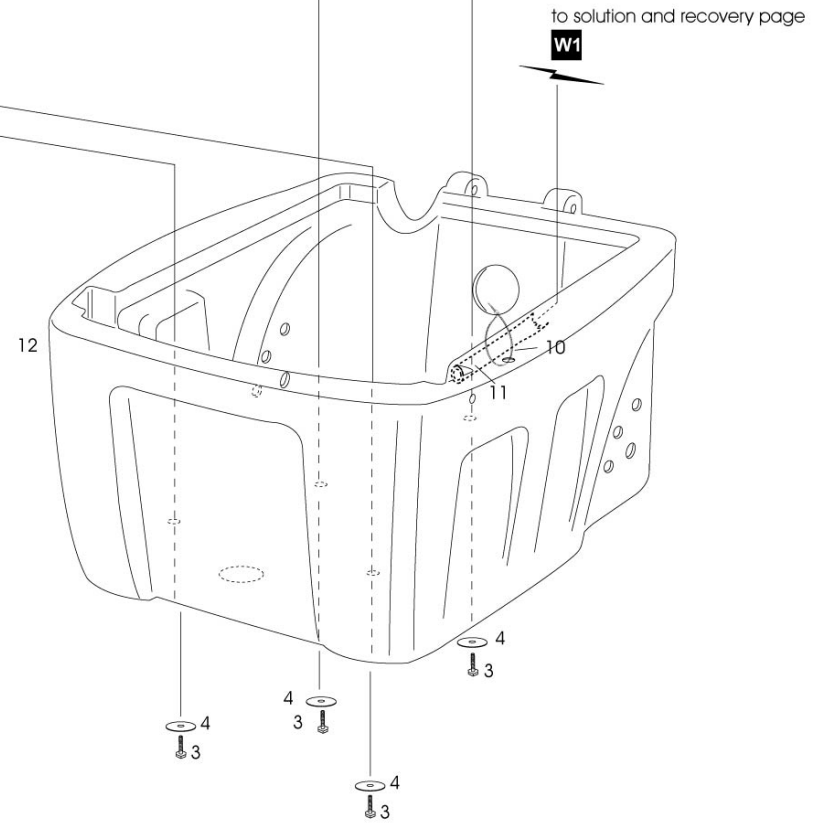
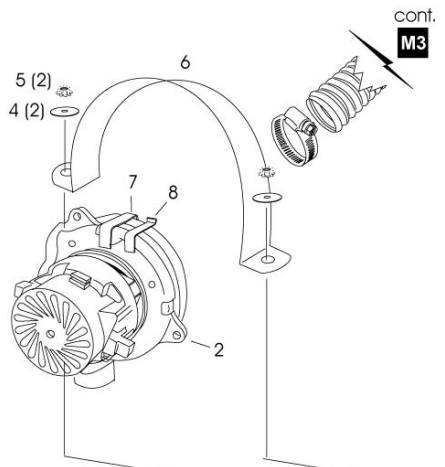
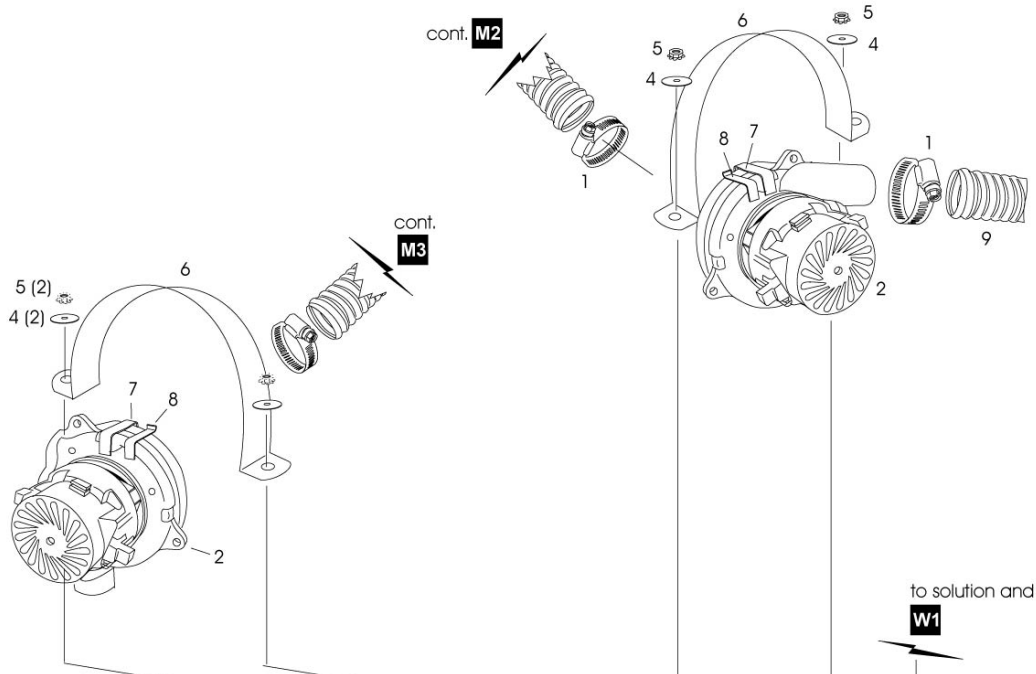
120 psi

oct2012

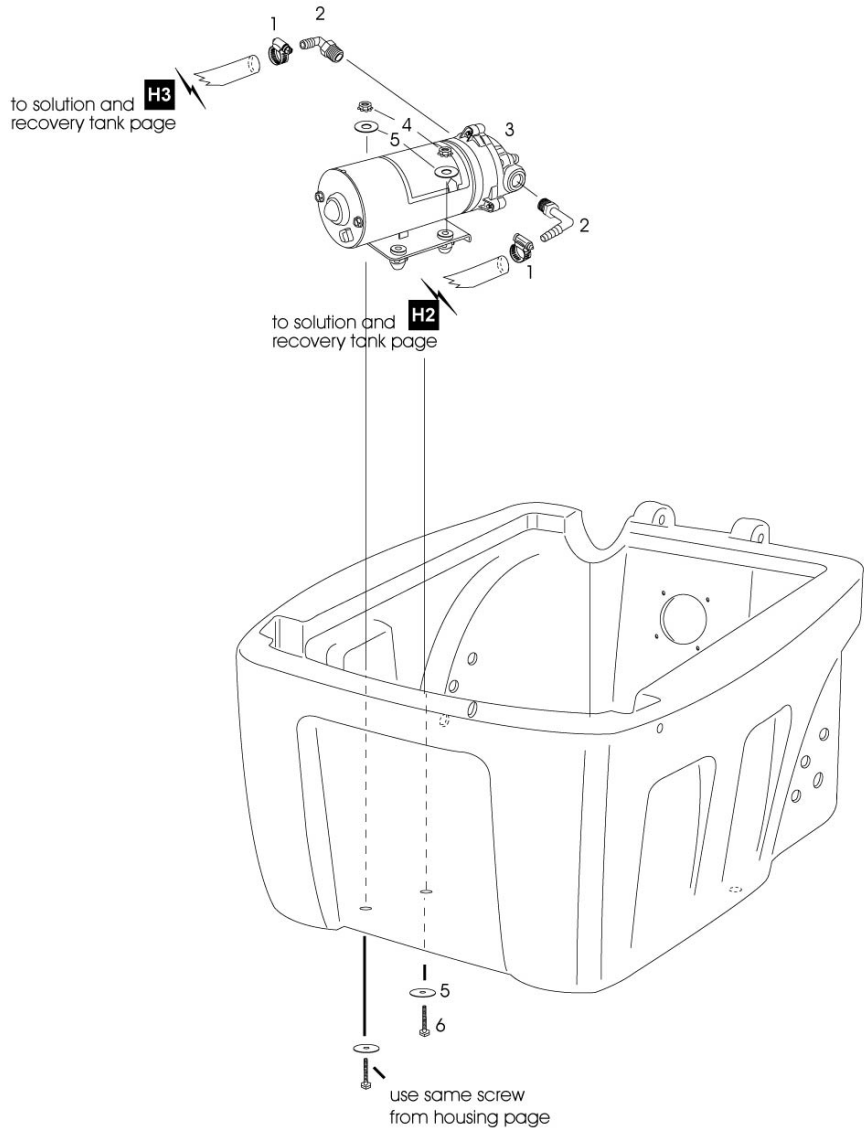
120V



<b>Rotovac</b>	<b>E-2120</b>
	motor page
Enduro	
2-2 vac motor (parallel)	120 psi
oct2012	120V



<b>Rotovac</b>	<b>E-2120</b>
	pump page
Enduro	
2-2 vac motor (parallel)	120 psi
oct2012	120V



E-2120  
 Bottom Housing  
 2-2stg Vac Motors  
 100-150 PSI  
 H39

ITEM No.	PART No	QTY	DESCRIPTION
1	FS07108	2	1/2" AXLE (ROD) END CAP
2	WC161094	2	10X1.75X1/2"NONMARKIWHEEL80CAB
3	FS05081808	1	AXLE(ROD)1/2" X 18-1/2"
4	TC13330895	1	ENDURO BASE - GRANITE
5	TE438134	3	COOLING FAN SCREEN
6	FR03604	8	AL/ST 6-4 RIVET
7	FW302316	8	3/16 ALUM. RIVET WASHER AS6R
8	FB023416	2	1/4-20x1 HEX TAPTITE BOLT-ZINC
9	FW552400	2	1/4 PLASTIC CUT WASHER
10	FW302424	8	1/4X1-1/4 ZINC FENDER WASHER
11	FN1020421	10	1/4X20 KEPS NUT
12	TMC6225	1	ENDURO EXHAUST
13	FN1021032	5	10X32 KEPS NUT ZINC
14	TP110480	4	ENDURO EXHAUST HOLDING BRACKET
15	FB1032116	5	10-32X1 PH.PAN HEAD ZN
16	FN1141616	1	3/8 x 16 CENTER LOCK NUT ZN
17	FB022688	1	3/8-16x5-1/2 HEX BOLT-ZINC
18	TE101230	2	12-3SJTW-A POW.CORDX25'W/15M.P
19	TE101500	2	CORD RETAINER (COMPLETE)
20	TP111430	2	3/8 AXLE HOLDER/PWR CORD HLDR
21	TMC6228	1	ENDURO BASE REINFORCE PLATE
22	WC120263	2	3"X1"NON MARKING SWIVEL CAST.*
23	FB022412	8	1/4-20 x 3/4 HEX BOLT-ZINC
24	TB110300	1	RH FRONT HANLE SET S/S
A	TB110301	1	RH FRONT HANLE OUTER UNIT S/S
B	TB110302	1	RH FRONT HANLE INER UNITS/S

E-2120  
 Solution & Recovery Tank  
 2-2 Vac Motor  
 150 PSI

ITEM No.	PART No.	QTY.	DESCRIPTION
1	TC13320695	1	ENDURO SOLUTION TANK - GRANITE
2	TMC6131	1	ENDURO SOLUTION TANK LID
3	TPW20820	1	STAND PIPE BASE S/S WASHER 2-1
4	TB231602	1	1-1/2" X 3/16GASKET(THICK)
5	TB436212	1	REDUCING/M ADT1-1/2MPTx1-1/4SO
6	PM2320164	1	STAND PIPE 2"O.D.#G (16-1/2")
7	ID67321	1	1/2 SS BN,SS, 1-9/16 TO 2-1/2
8	PM10142	1	BALL FLOAT DUCT ONLY
9	PM10144	1	BALL FLOAT CAGE W/BALL
10	PM10150	1	VACUUM FILTER(BALL-FLOAT)
11	TC13311795	1	ENDURO RECOVERY TANK -GRANITE
12	FN1110420	2	1/4X20 S/S NYLON LOCK NUT
13	FW302300	4	1/4 S/S U.S.S. CUT WASHER
14	FB021428	2	1/4-20X1-3/4 HEX BOLT 18-8 S/S
15	TB231715	1	90DEG.ELBOW 1.5SPIG X 1.5FPT
16	DB10116	1	MOBIL LASTIC TAPE 1/16X1FT.
17	FB9010808	6	#8-18 x1/2 TRUSS PHIL SCREW S/
18	TMC6010	1	ENDURO REC. TANK LID COMPLETE
B	TMC6011	1	ENDURO REC. TANK LID ONLY
19	TB231601	1	1-1/2" X 1/8 GASKET(THIN)
20	TB231516	1	1.5"HOSE BARB W/FLANGE BLACK
21	129HB44	1	90 DEG. HB (HOSE X MPT)1/4X1/4
22	222P44	1	ADAPTER 1/4MPTX1/4FPT
23	FW552910	1	9/16 PLASTIC CUT WASHER
24	TMC6203	1	ENDURO SWITCH PLATE W/3 CUT OUT
25	FB1032108	7	10-32X1/2PH.PAN HEAD ZN
26	FW302316	6	3/16 ALUM. RIVET WASHER AS6R
27	TE202012	3	CV/ON-OFF ROCKER SWITCH (TMI)
28	BH2-6020	1	BRASS COUPLER 1/4"FPT -FST
29	ID57060	4	H.C.1/2 SS BN,PLT,3/8TO7/8
30	THB4474143	1	SOL.AsNB1/4x47"1/4MPTx1/4SMPT
31	TB435010	1	1" FEMALE ADAPTER x SLIP
32	MS30G322	1	O-RING FOR ENDURO
33	TB436133	1	1-1/2" HOSE BARB x 1" MPT
34	THD150016	1	1.5"x16" DRAIN TUBE
35	FB022424	2	1/4-20X1-1/2 HEX BOLT-ZINC
36	FW302400	4	1/4 U.S.S. CUT WASHER ZINC
37	TV151194-27	1	1-1/2" WIRE BRAID INTRNL VAC HOSE
38	ID57200	2	1/2 SS BN5/16PLT, 3/4 TO 1-3/4
39	TB261510	1	1-1/2" 90 DEG.HOSE BARBx1.5FPT
40	FN1020421	2	1/4X20 KEPS NUT
41	N6MEB4	1	90DEG.H.B.3/8HOSEX1/4MPT WH.NY
42	TSP10402	1	1/4FPTx1/4FPT SPIN FITTING
43	215PN4	1	CLOSE NIPPLE 1/4
44	TF101050	1	FILTER SCREEN S/S 50MESH 1/4FT
45	TH3630899-39	1	3/8"SOLUTION HOSE x 39"

E-2120

Motor

2-2stg Vac Motor

ITEM No.	PART No.	QTY	DESCRIPTION
1	<b>ID57320</b>	6	1/2 SS BN,PLT, 1-9/16 TO 2-1/2
2	<b>11639200</b>	2	120V/5.7"/2STG/81.8"WL/97CFM
3	<b>FB022412</b>	4	1/4-20X3/4 HEX BOLT-ZINC
4	<b>FW302424</b>	8	1/4X1-1/4 ZINC FENDER WASHER
5	<b>FN1020421</b>	4	1/4X20 KEPS NUT
6	<b>TP2021214</b>	2	MOTOR STRAP HOLDING BRACKET
7	<b>TP400401</b>	4	MOTOR CLAMP 5.7-2 STAGE MOTOR
8	<b>TP400405</b>	2	VAC STRAP GUARD
9	<b>TV200294</b>	1	2"WIRE BRA.INTERN.VAC.HOSE GRA
10	<b>FT010204BLK</b>	1	HOSE TIE SOLID 4" BLACK
11	<b>TH3630899-38</b>	4	3/8"SOLUTION HOSE x 38"
12	<b>TC13330895</b>	1	ENDURO BASE - GRANITE
13	<b>TB231301</b>	1	TEE HANDLE(PVC)WHITE
14	<b>TV151194-</b>	-	1-1/2" WIRE BRAID INTRNL VAC H



E-2120  
PUMP PAGE  
2-2stg VAC MOTOR  
100 OR 150 PSI

ITEM No.	PARTS No.	QTY	DESCRIPTION
1	<b>ID57060</b>	2	H.C.1/2 SS BN,PLT,3/8TO7/8
2	<b>N6MCB6</b>	2	HOSE BARB3/8HOSEX3/8MPT WH.NY
3	<b>S80812288</b>	1	115V100PSI/VITON/INT80PSIBYPAS
4	<b>FN1020421</b>	2	1/4X20 KEPS NUT
5	<b>FW302400</b>	3	1/4 U.S.S. CUT WASHER ZINC
6	<b>FB022424</b>	1	1/4-20X1-1/2 HEX BOLT-ZINC